



# 목차

1 □ □ □ □ □ □ □ □

2. □ □ □ □ □

3 DMUKINEMATICS

4. □ □ □ □

5. □ □ □, □ □ □ □ □ Q&A □

1 □ □ □ □ □ □ □ □

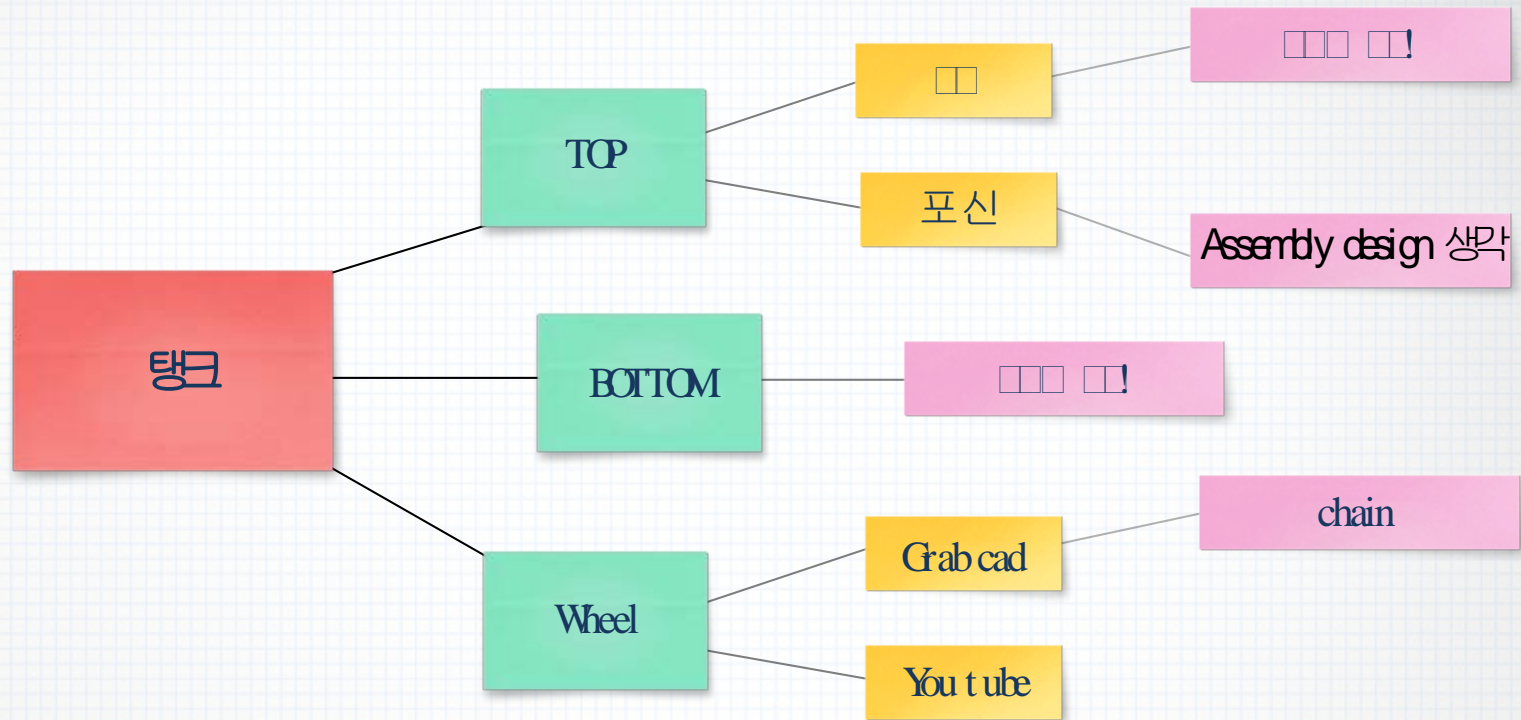
□ □ □ □ □ □ □ □ □ □ □ □ □ □

→ □ □ □ □ □ □ **CATIA** □ □ □ □ □ □ □ □ □ □ !

**TANK**

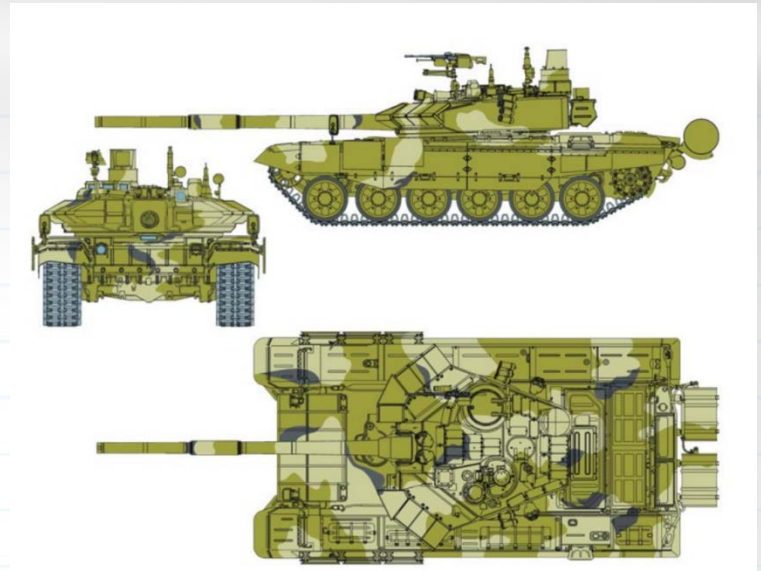
**Tank+boy = Tankboy** □ □

**Back to menu**



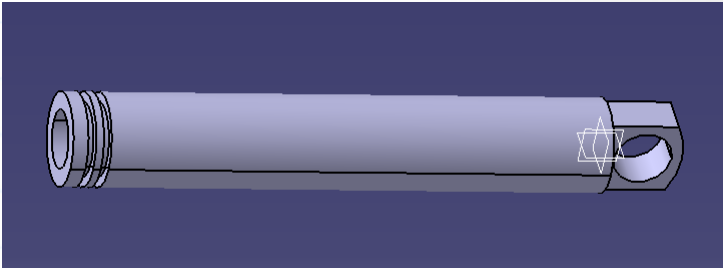
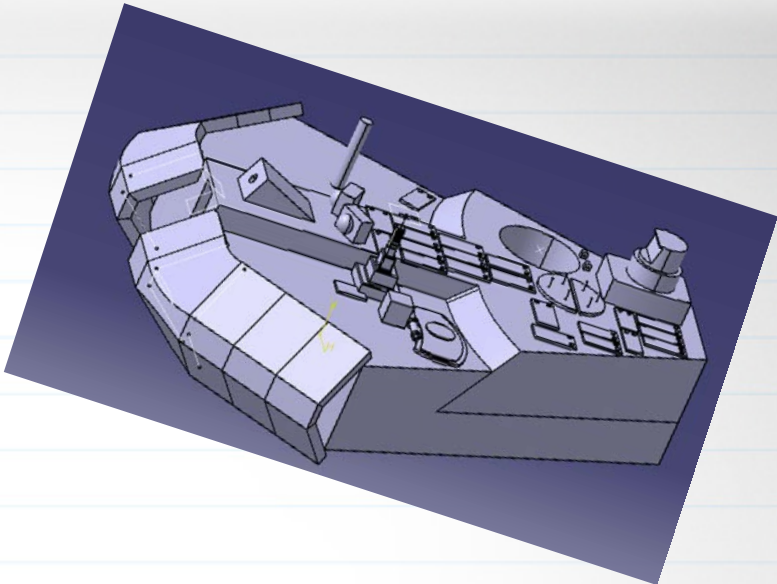
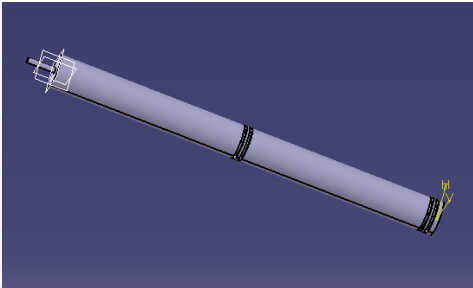
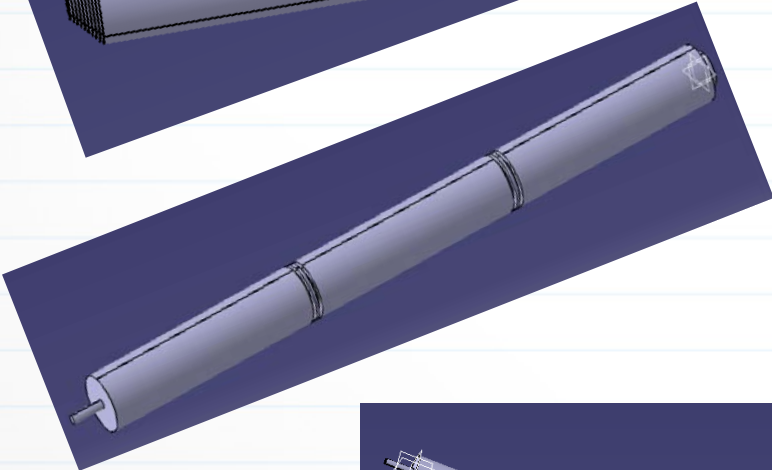
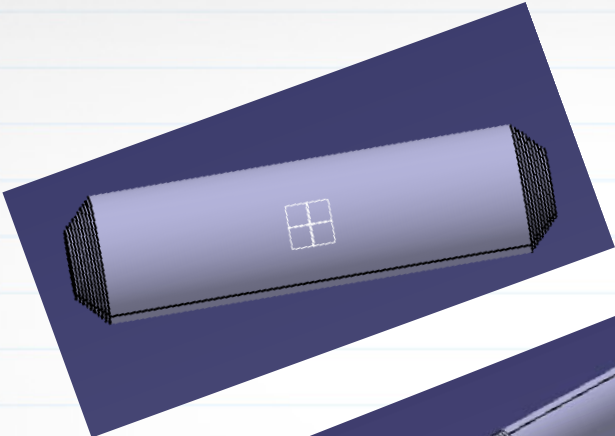
## 2

옆에 PART DESIGN



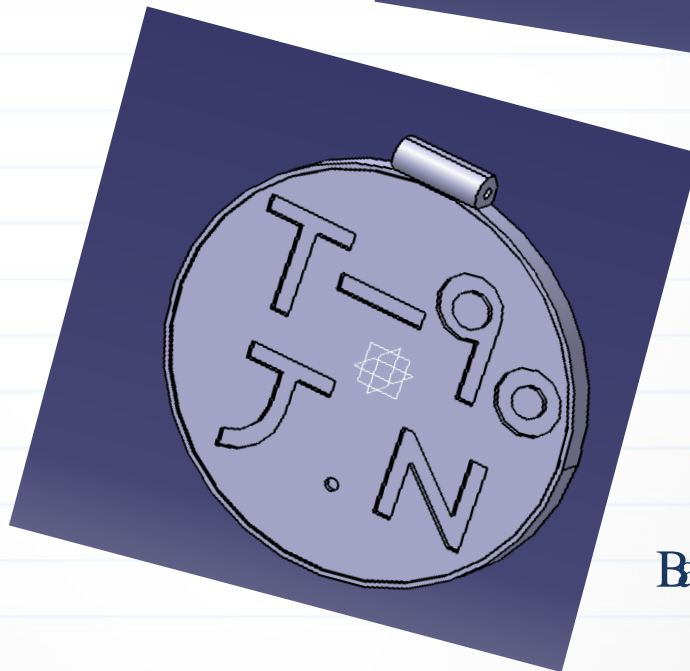
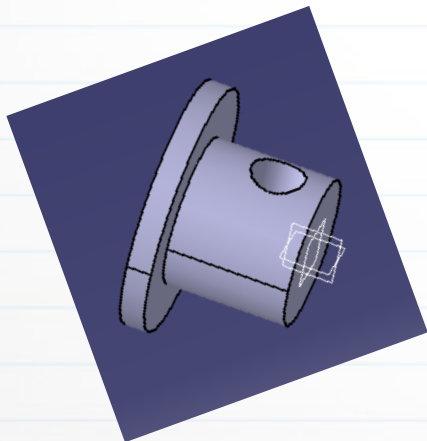
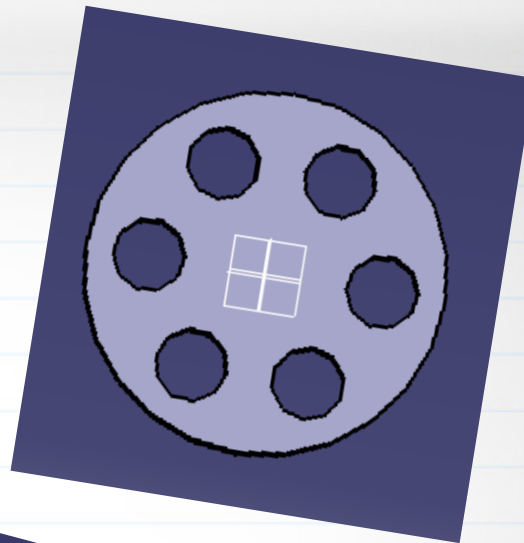
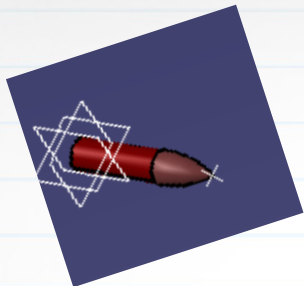
- : <http://blog.naver.com/mig17/150075886270>

2 □□□ (top)



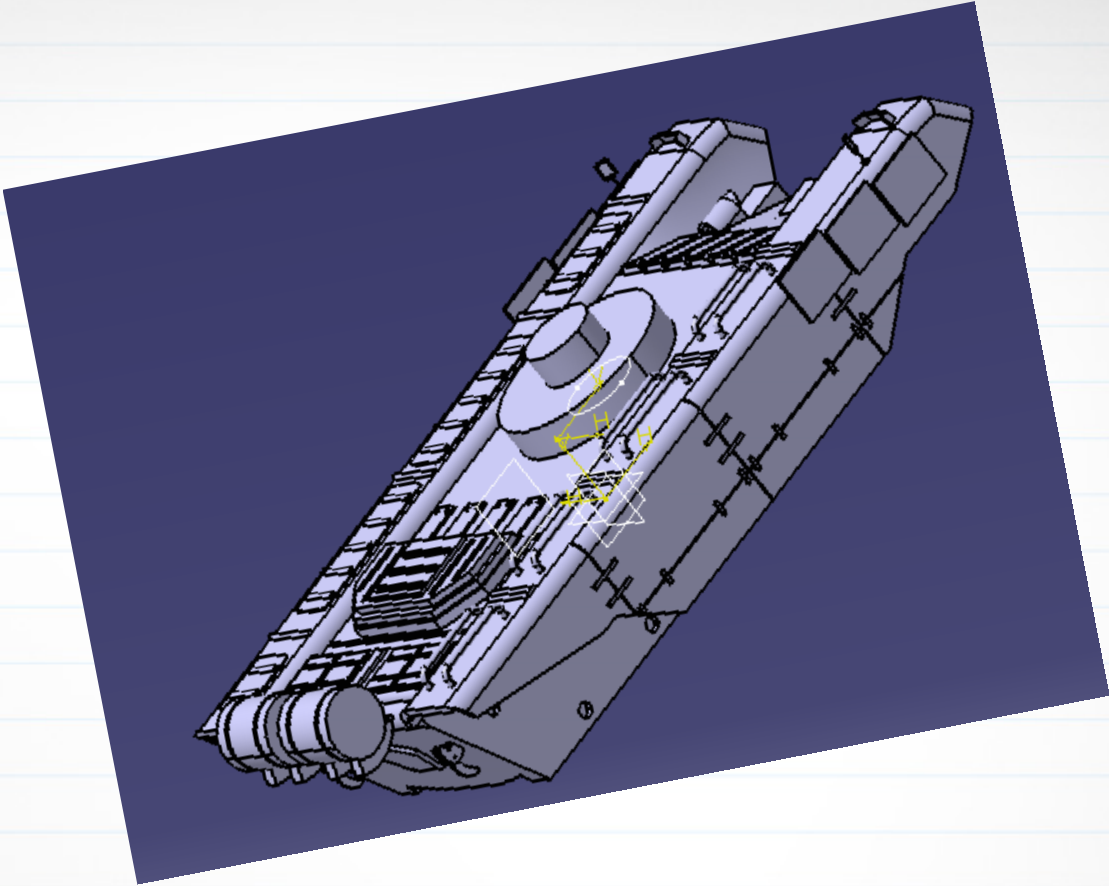
[Back to menu](#)

2 □□□(top)



[Back to menu](#)

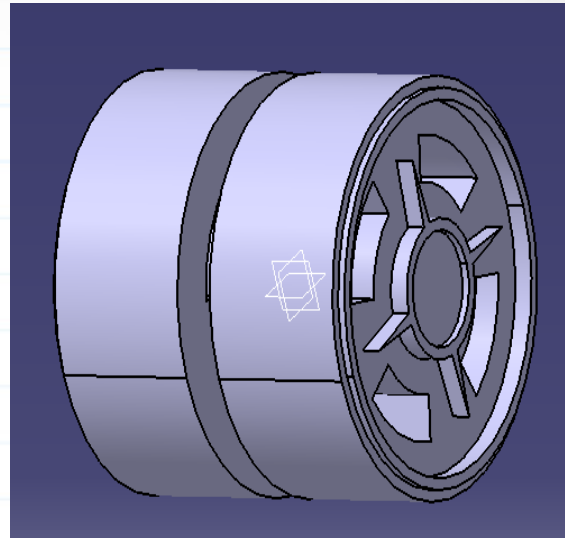
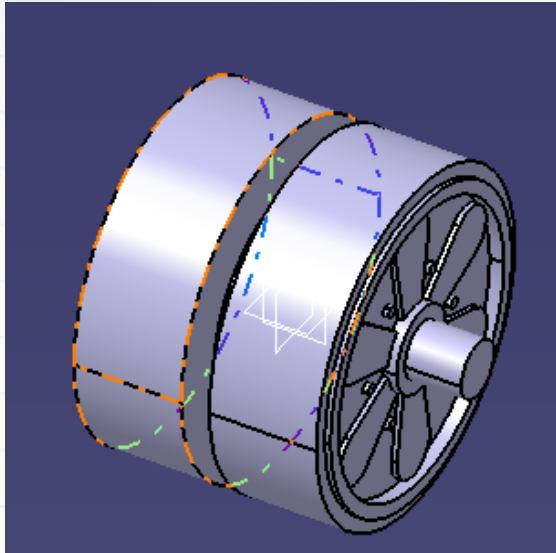
2 □□□ (bot t om)



[Back to menu](#)

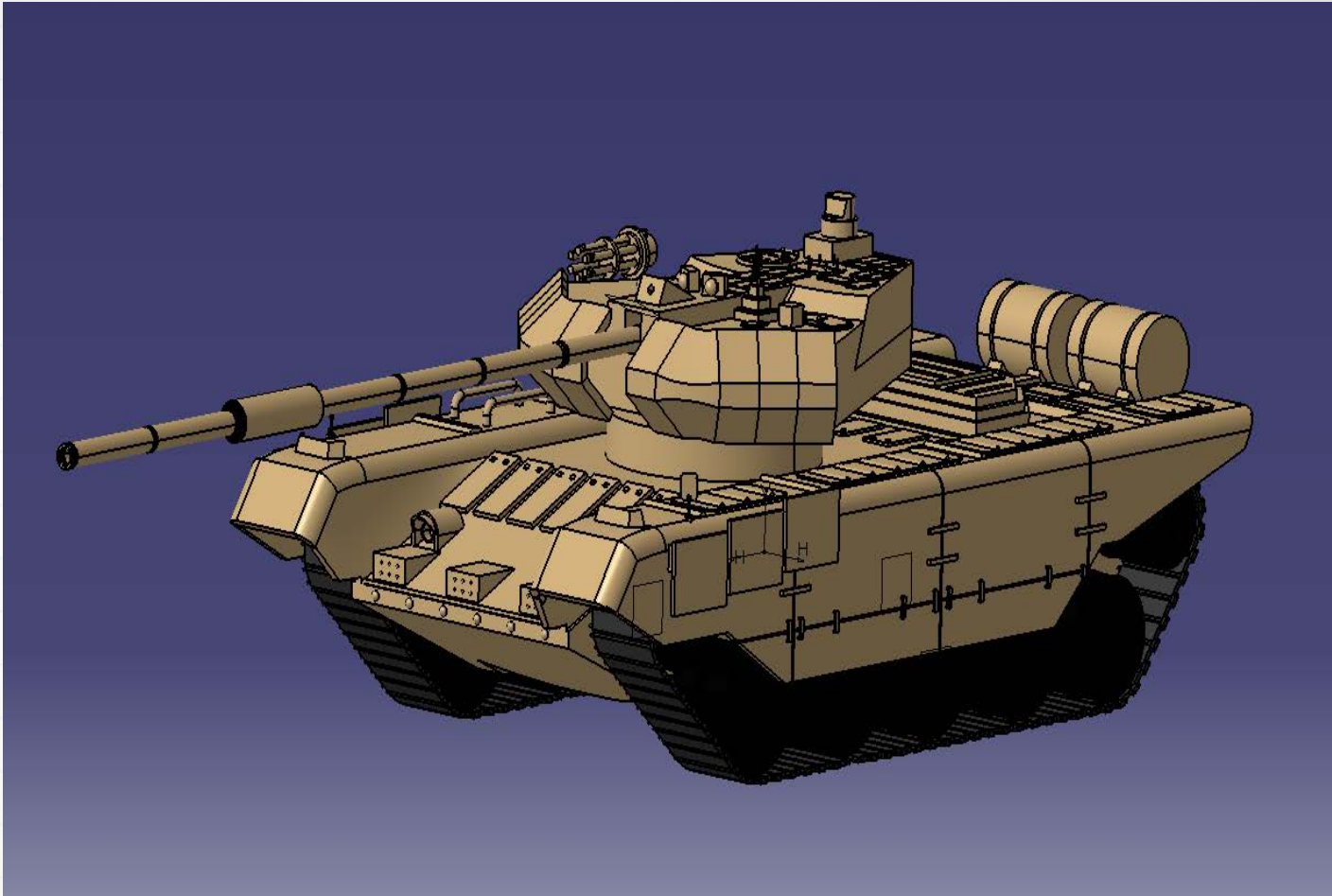


## 2 □□□ (wheel)



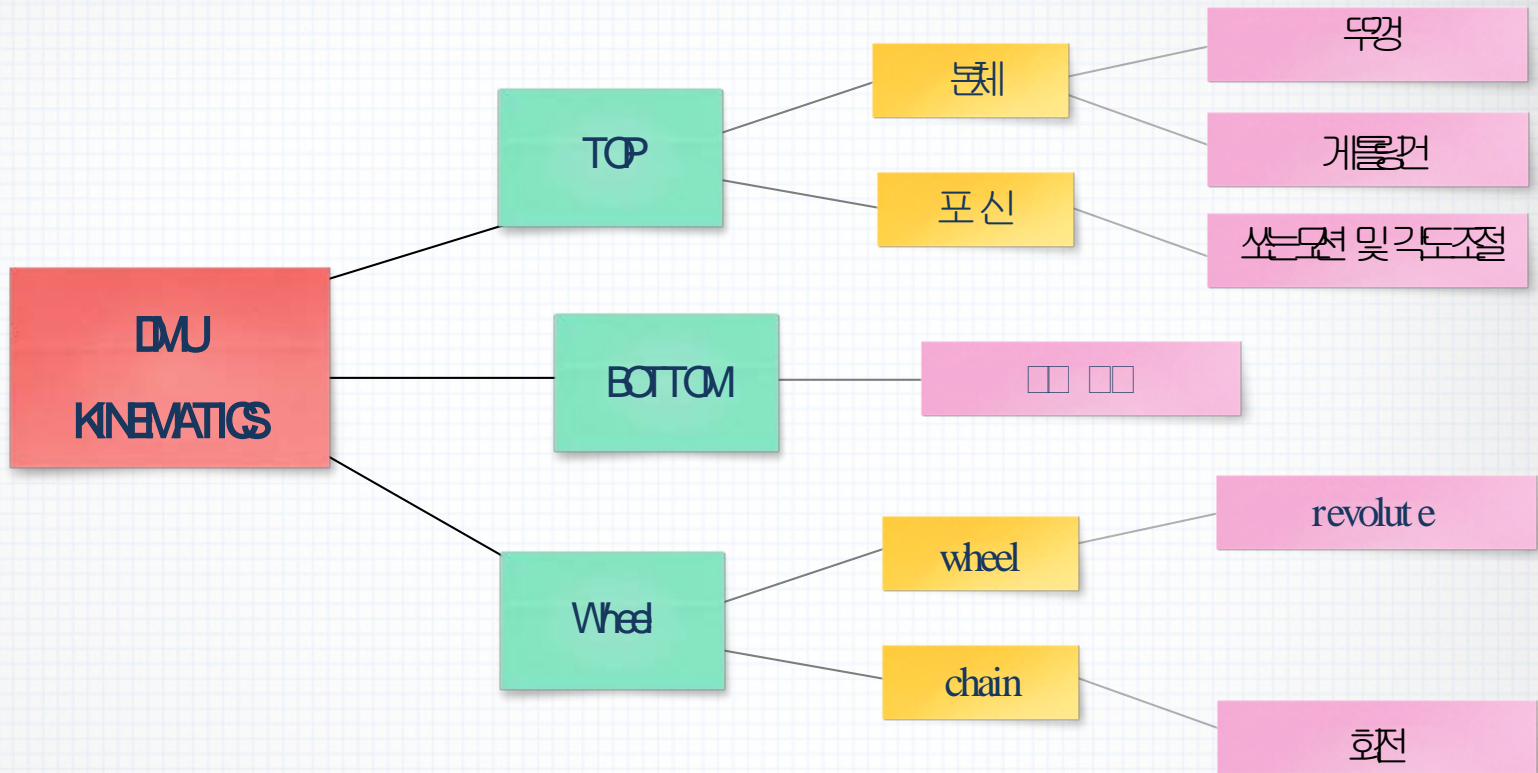
[Back to menu](#)

2 □□□ (FULL)

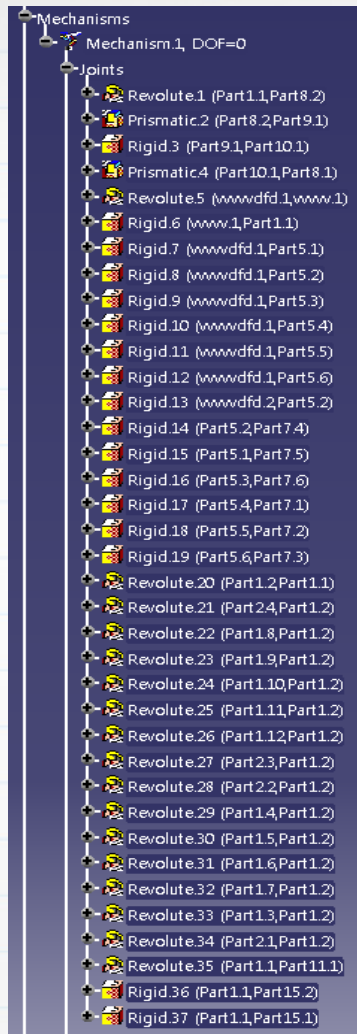


[Back to Menu](#)

### 3 DMU KINEMATICS



### 3 DMUKINEMATICS

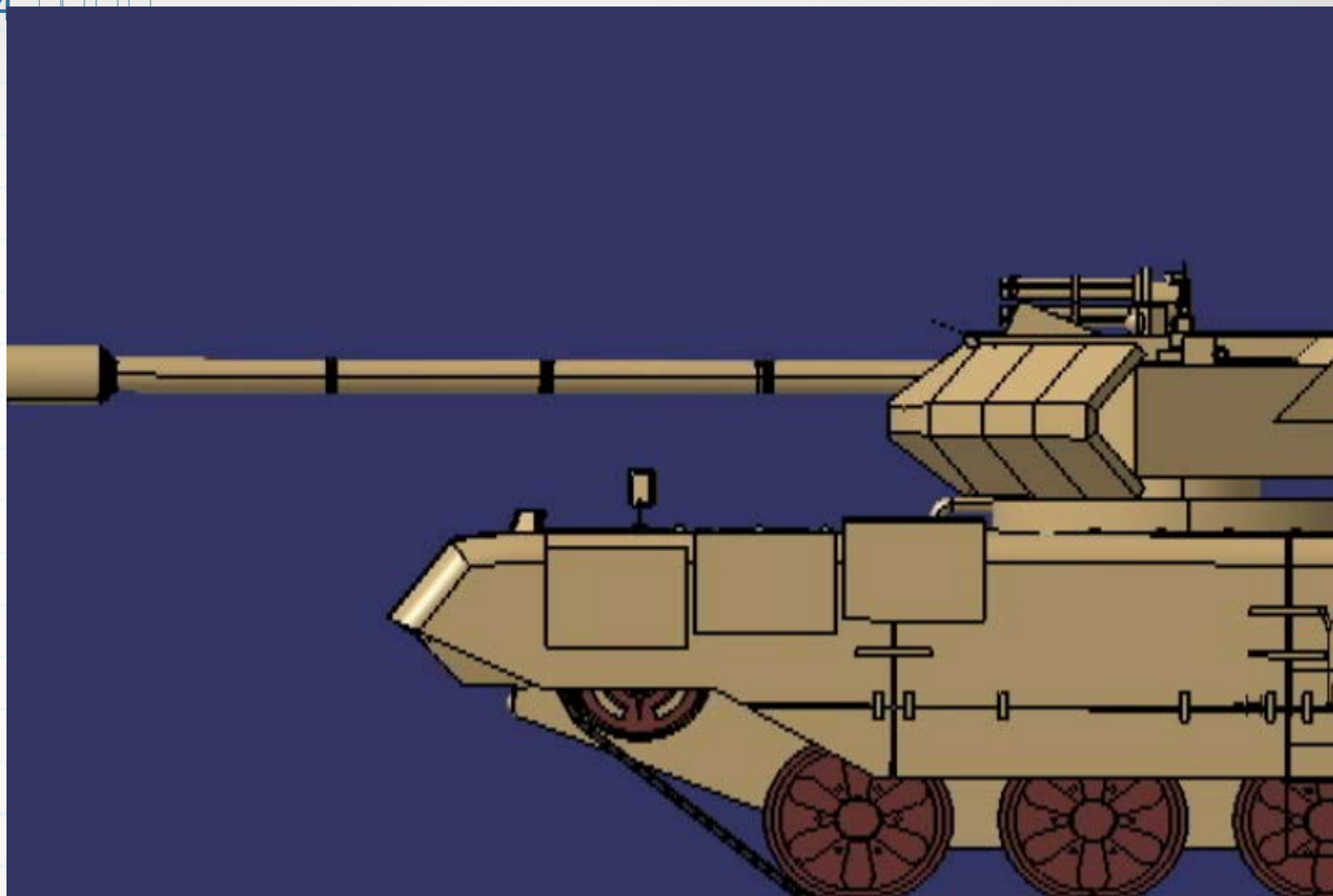


Chain DMU

Chain DMU revolute point curve joint .

[Back to menu](#)

4 □□□□



[Back to menu](#)

### 5. 1.2, 1.3 Q&A

Can의 1.2와 1.3은 DMU의 1.2와 1.3을 비교하여, 1.2와 1.3 DMU의 1.2와 1.3을 비교하여 설명하시라.

1.2와 1.3을 비교하여 설명하시라...

# Q&A

[Back to menu](#)

감사합니다!